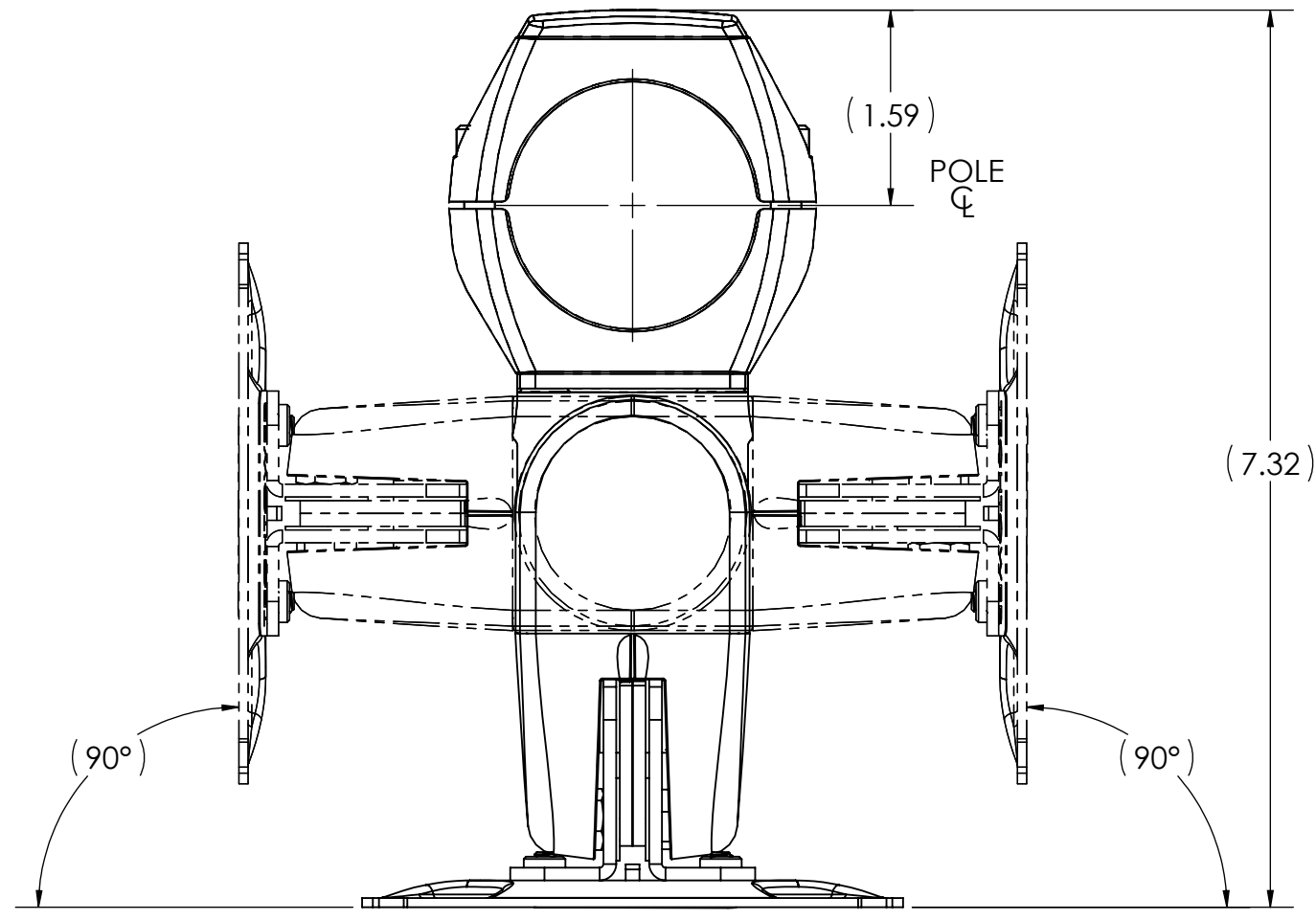
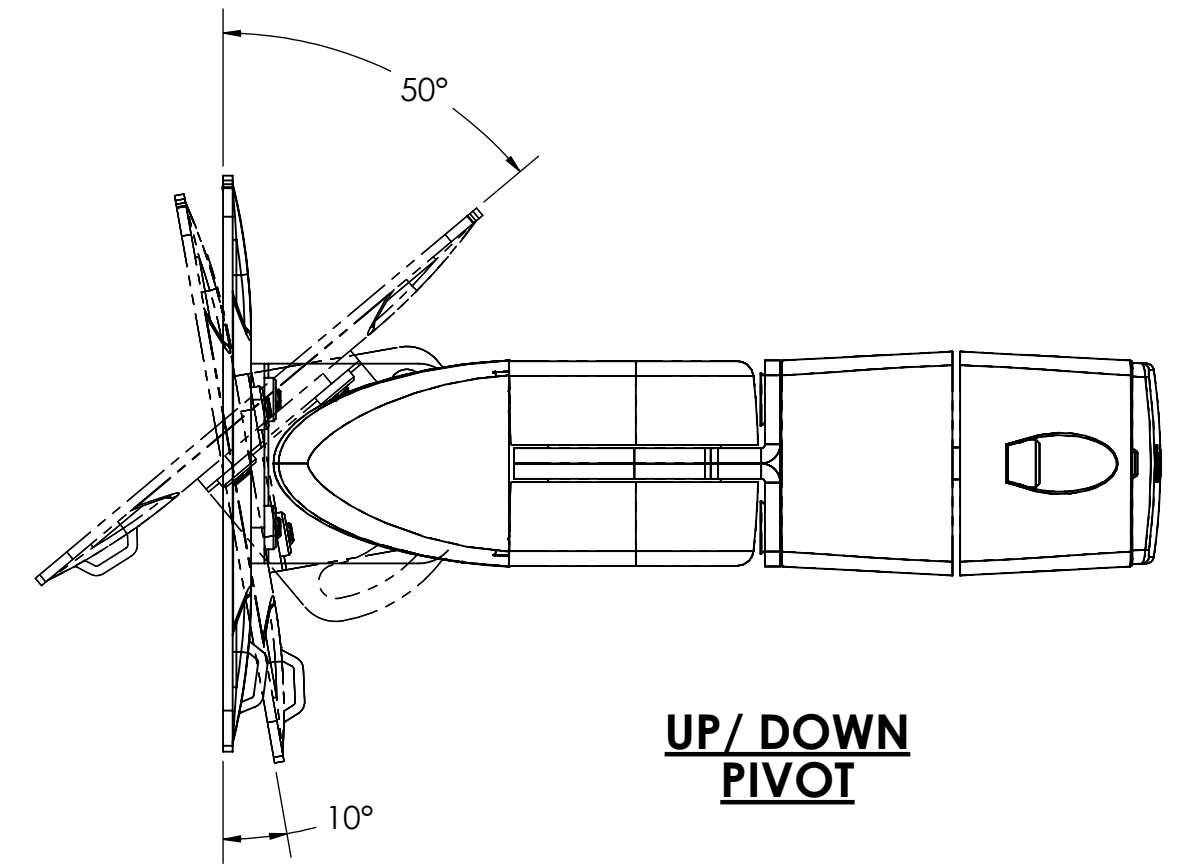
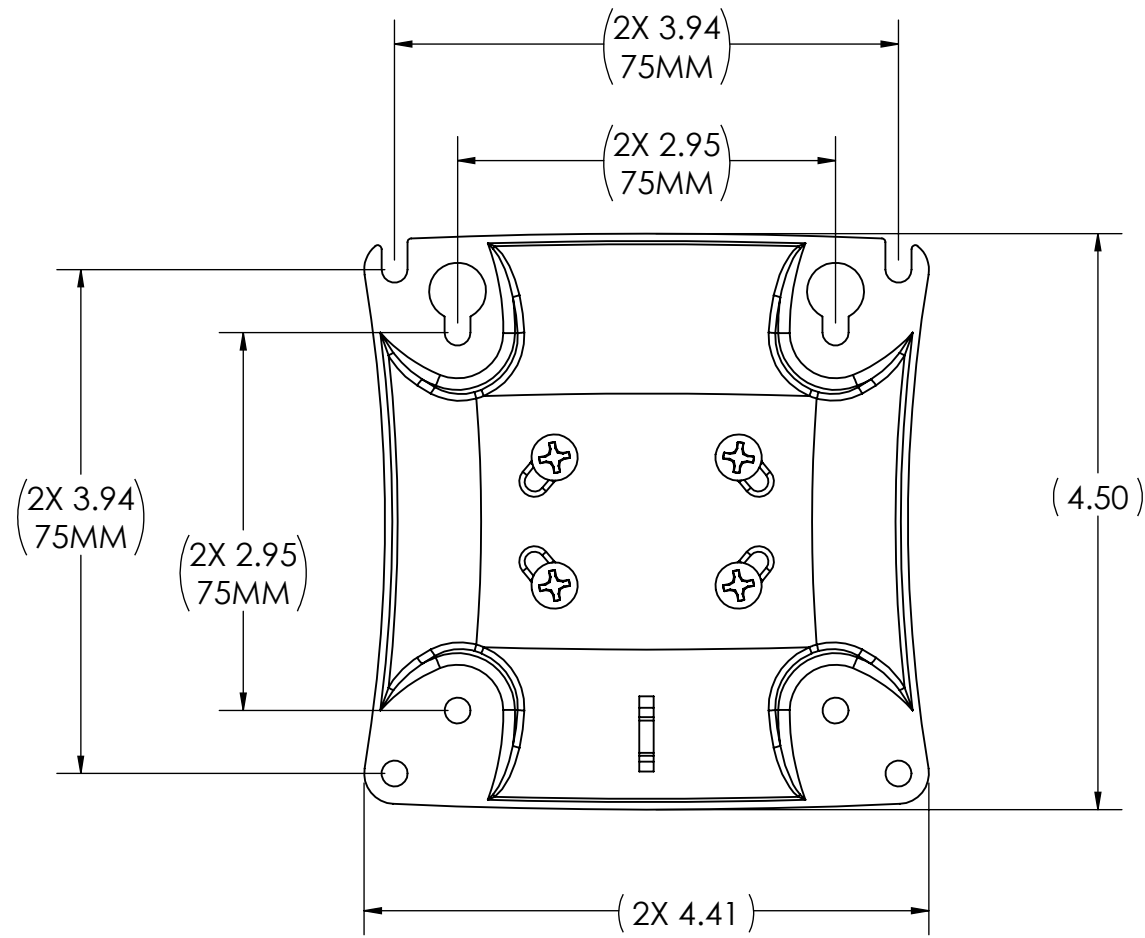
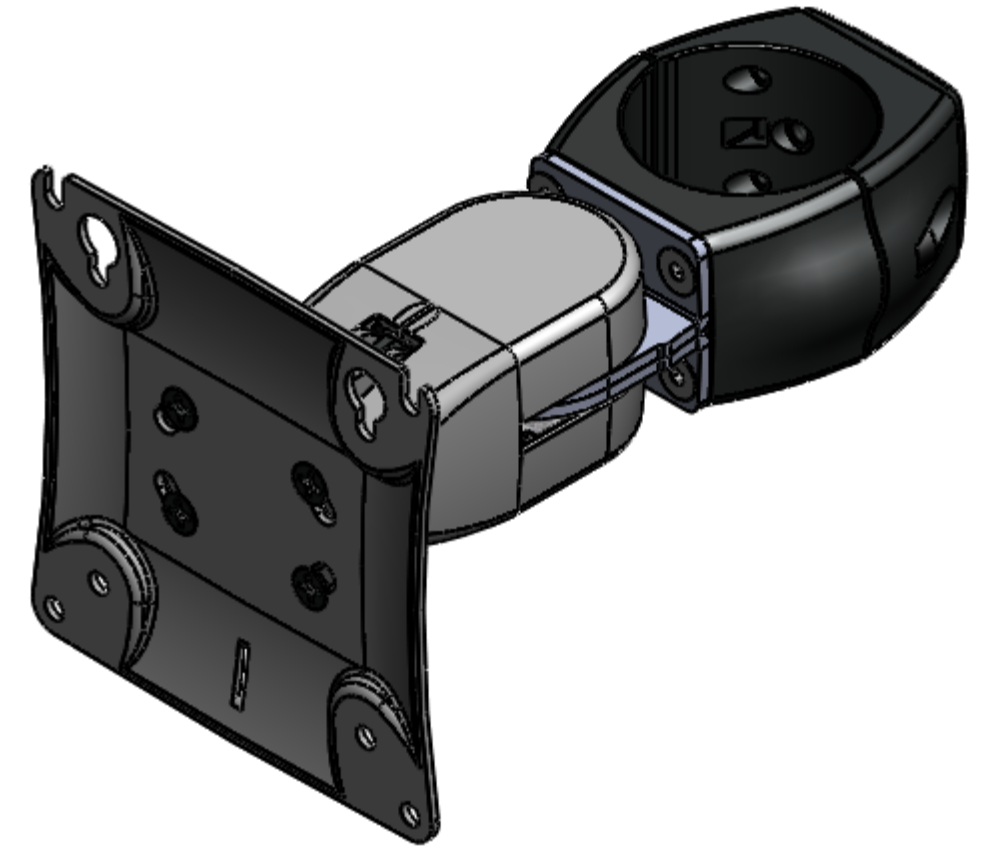


**DOUBLE PIVOT MONITOR MOUNT FOR 75MM AND 100MM VESA COMPLIANT MONITORS (20 LBS MAX)**



**LEFT/RIGHT PIVOT**



**UP/ DOWN PIVOT**

**NOTES:**  
1. PIVOT TORQUED TO 25 INCH POUNDS

THE INFORMATION CONTAINED IN THIS DRAWING IS THE SOLE PROPERTY OF ENGINEERED NETWORK SYSTEMS AND REPRODUCTION IN PART OR IN WHOLE WITHOUT THE WRITTEN PERMISSION OF ENGINEERED NETWORK SYSTEMS IS PROHIBITED.



| REV.                                    | DESCRIPTION            | DATE                                                                                                 | BY     | CHK'D                |
|-----------------------------------------|------------------------|------------------------------------------------------------------------------------------------------|--------|----------------------|
| A                                       | RELEASED FOR PROTOTYPE | 09/23/15                                                                                             | JEB    | JEB                  |
| DRAWN                                   | J. BROWN               | 14451 Ewing Ave, Suite 100<br>Burnsville, MN 55306<br>Phone: 952-767-1005<br>Fax: 952-767-1006       |        |                      |
| DATE                                    | 09/23/2015             | <b>TechTower</b><br>TITLE TECH TOWER,<br>DOUBLE PIVOT, FLAT PANEL MONITOR<br>MOUNT, FIXED POLE CLAMP |        |                      |
| CUSTOMER APPROVAL (SIGNATURE REQUIRED): |                        | DATE                                                                                                 | SIZE C | DWG. NO. 367-4008-21 |
|                                         |                        |                                                                                                      | REV. A | SHEET 1 OF 1         |